

KX360 Series

Linton
LINTONCRYSTAL.COM

KX360 Semiconductor MCZ Crystal Growing Furnace



- **OPTIMIZED FOR LARGE INGOT GROWTH**
- **ADVANCED CONTROL SYSTEM**
- **LOW POWER CONSUMPTION**
- **INTEGRATED COMMUNICATIONS**
with optional WINGS systems
- **CUSTOM CONFIGURATION AVAILABLE**

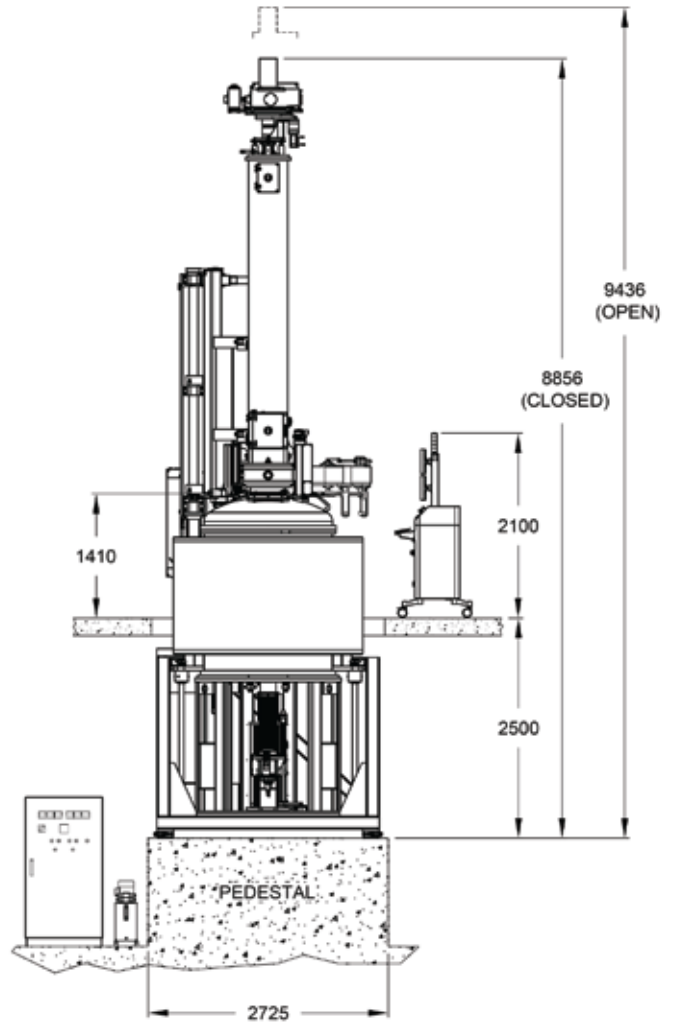
KX360



KX360

MCZ CRYSTAL GROWING FURNACE

The KX360MCZR has the largest furnace chamber, 1400 mm in diameter, capable of accommodating 32- or 36-inch crucibles. The furnace is capable of producing 300 mm and larger ingots. The KX360MCZR is magnet-ready for resistive and superconducting magnets.



Dimensions shown are typical and can be customized to meet customer requirements

| PERFORMANCE | |
|--------------------------------|--------------------|
| Furnace Chamber Diameter | 1400 mm (55.1 in) |
| Receiving Chamber Height | 3500 mm (137.8 in) |
| Throat Diameter | 400 mm (15.7 in) |
| Seed Lift Rate | 0-508 mm/hr |
| Seed Jog Speed (Nominal) | 508 mm/min |
| Seed Rotation (Reversible) | 0-30 rpm |
| Total Crucible Travel | 650mm (25.6 in) |
| Crucible Lift Rate | 0-127 mm/hr |
| Crucible Jog Speed (Nominal) | 127 mm/min |
| Crucible Rotation (Reversible) | 0-30 rpm |

| SILICON CHARGE CAPACITY | |
|-------------------------|--------------|
| CRUCIBLE DIAMETER* | CHARGE SIZE |
| 32.0 in or 36.0 in | up to 650 kg |

| OPTIONS & ACCESSORIES | |
|-----------------------|-----------------------------|
| Cooling Tube | Cusp Magnet |
| Feeders | Vacuum Pumps |
| Hot Zones | Ingot and Crucible Handling |
| Filters | Maintenance Tools |