

KX240 MACH/Specialty Growing Furnace



K240MACH

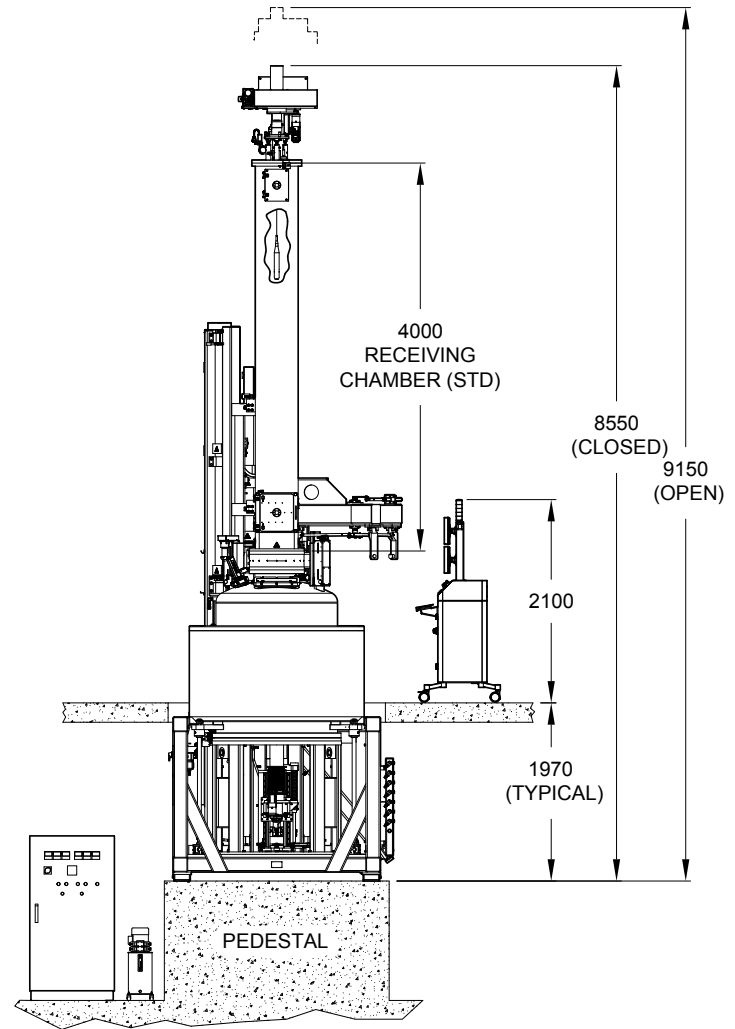
- CUSTOM CONFIGURATION AVAILABLE
- MAGNET READY
Resistive Magnet / Superconducting Magnet
- CAPABLE OF GROWING INGOT DIAMETERS
8" (200 mm), 10" (250 mm), 12" (300 mm)
- ADVANCED CONTROL SYSTEM
- LOW POWER CONSUMPTION
- INTEGRATED COMMUNICATIONS
with optional WINGS systems



The KX240MACH is the world's only modular furnace, designed to easily accommodate different sized hotzones to track with your changing needs and ensure you get a long life from your investment. The KX240MACH can be used with or without magnet.

KX240

MACH CRYSTAL GROWING FURNACE



Dimensions shown are typical and can be customized to meet customer requirements

PERFORMANCE	
Furnace Chamber Diameter	1100 mm (43.3 in) – Standard 1200 mm (47.2 in) – Optional
Receiving Chamber Height	4000 mm (157.5 in) – Standard 3500 mm (137.8 in) – Optional 3000 mm (118.1 in) – Optional
Throat Diameter	350 mm (13.8 in) – Standard 400 mm (15.7 in) – Optional
Seed Lift Rate	0-508 mm/hr
Seed Jog Speed (Nominal)	(Nominal) 400 mm/min
Seed Rotation (Reversible)	0-30 rpm
Total Crucible Travel	550 mm (21.7 in)
Crucible Lift Rate	0-127 mm/hr
Crucible Jog Speed (Nominal)	127 mm/min
Crucible Rotation (Reversible)	0-20 rpm

SILICON CHARGE CAPACITY		
*Hot Zones available to fit following crucible size. Note: Charges enhanced with Xtramelt™ Feeder		
CRUCIBLE DIAMETER*	CRUCIBLE HEIGHT*	NOMINAL CHARGE SIZE
24.0 in	343 mm (13.5 in)	220 kg
26.0 in	483 mm (19.0 in)	300 kg
28.0 in	496 mm (19.5 in)	350 kg

OPTIONS & ACCESSORIES	
Feeders	Vacuum Pumps
Hot Zones	Ingots and Crucible Handling
Filters	Maintenance Tools