



CG6000-Ge



KX240-Ge



KX320-Ge

CG6000-Ge **KX240-Ge** **KX320-Ge**

Crystal Growing Furnaces



- Capable of Growing Ingot Diameters 6" (150 mm) to 12" (300 mm)
- Advanced CZ Control System
- Custom Dopant Fixture Available
- Complete Customization Available



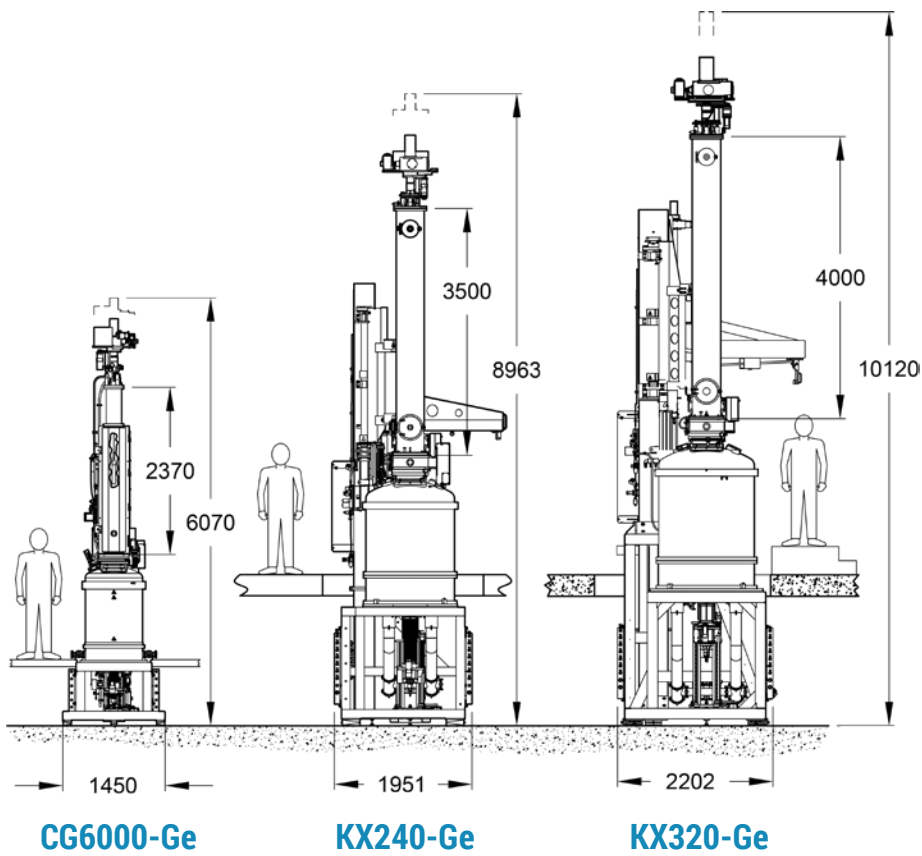
CG6000-Ge KX240-Ge KX320-Ge

Crystal Growing Furnaces

We offer a variety of growers to meet your needs

Machine Comparison	CG6000-Ge	KX240-Ge 1.1	KX240-Ge 1.2	KX320-Ge
Furnace Chamber Size	762 mm	1100 mm	1200 mm	1300 mm
Throat Diameter	305 mm	350 mm (400 mm**)	350 mm (400 mm**)	400 mm (520 mm, 650 mm)**
Receiving Chamber	1730 mm (Door)	3500 mm	3500 mm	4000 mm
Crucible Travel	320 mm	650 mm	650 mm	850 mm
Hot Zone Sizes	18 inch	24 inch/ 26 inch	26 inch/ 28 inch	32 inch
Charge Sizes	120 kg	450 kg	450 kg	800 kg

** Optional Sizes



Dimensions shown are typical and can be customized to meet customer requirements