



**Linton**  
LINTONCRYSTAL.COM

# KX240MCZR

CRYSTAL GROWING FURNACE



- FLEXIBLE CONFIGURATION OPTIONS
- MAGNET READY  
Resistive Magnet / Superconducting Magnet
- CAPBLE OF GROWING INGOT DIAMETERS  
8" (200 mm), 10" (250 mm), 12" (300 mm)
- ADVANCED CONTROL SYSTEM
- LOW POWER CONSUMPTION  
with optional Hot Zone
- INTEGRATED COMMUNICATIONS  
with optional WINGS systems



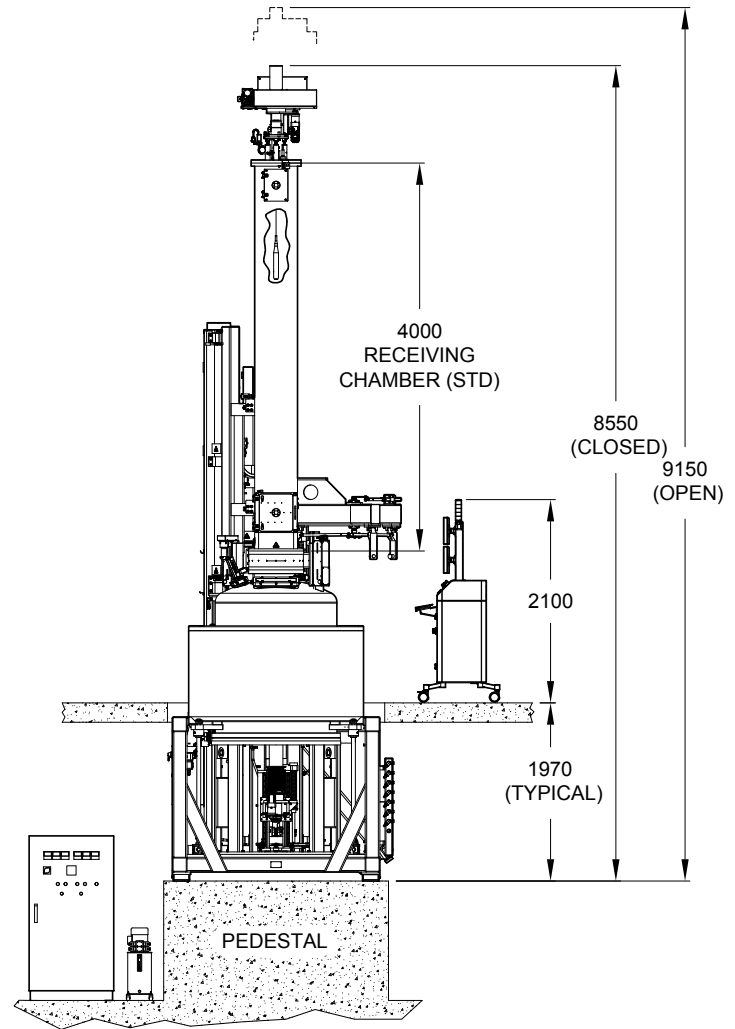
# D A T A S H E E T

## KX240MCZR CRYSTAL GROWING FURNACE

PERFORMANCE	
Furnace Chamber Diameter	1100 mm (43.3 in) – Standard 1200 mm (47.2 in) – Optional
Receiving Chamber Height	4000 mm (157.5 in) – Standard 3500 mm (137.8 in) – Optional 3000 mm (118.1 in) – Optional
Throat Diameter	350 mm (13.8 in) – Standard 400 mm (15.7 in) – Optional
Seed Lift Rate	0-508 mm/hr
Seed Jog Speed (Nominal)	(Nominal) 400 mm/min
Seed Rotation (Reversible)	0-30 rpm
Total Crucible Travel	550 mm (21.7 in)
Crucible Lift Rate	0-127 mm/hr
Crucible Jog Speed (Nominal)	127 mm/min
Crucible Rotation (Reversible)	0-20 rpm

UTILITY REQUIREMENTS	
<b>WATER</b>	
Maximum Inlet	25° C (77° F)
Diff. Supply Pressure	2.5kg/cm2 (35psi)
<b>ARGON</b>	
Mass Flow Control	200 slpm
Purge Flow	75 slpm
Supply Pressure	5.2 - 10.4 bar (75-150psi)
<b>AIR</b>	
Supply Pressure	4.8 - 8.3 bar (70-120 psi)
<b>3 PHASE ELECTRICAL POWER</b>	
Volts	380/400/440/460
Hz	50/60
<b>SINGLE PHASE ELECTRICAL POWER</b>	
Volts	220/230
Hz	50/60

SILICON CHARGE CAPACITY		
*Hot Zones available to fit following crucible size. Note: Charges enhanced with Xtramelt™ Feeder		
CRUCIBLE DIAMETER*	CRUCIBLE HEIGHT*	NOMINAL CHARGE SIZE
24.0 in	343 mm (13.5 in)	220 kg
26.0 in	483 mm (19.0 in)	300 kg
28.0 in	496 mm (19.5 in)	350 kg



Dimensions shown are typical and can be customized to meet customer requirements

OPTIONS & ACCESSORIES	
Feeders	Vacuum Pumps
Hot Zones	Ingots and Crucible Handling
Filters	Maintenance Tools