

**Linton**  
LINTONCRYSTAL.COM

# 300 mm SEMICONDUCTOR MCZ CRYSTAL GROWING FURNACE



- OPTIMIZED FOR 300 mm INGOT GROWTH
- 4000 GAUSS SUPERCONDUCTING MAGNET
- ADVANCED CONTROL SYSTEM
- LOW POWER CONSUMPTION
- INTEGRATED COMMUNICATIONS  
with optional WINGS systems
- COMPLETE CUSTOMIZATION AVAILABLE

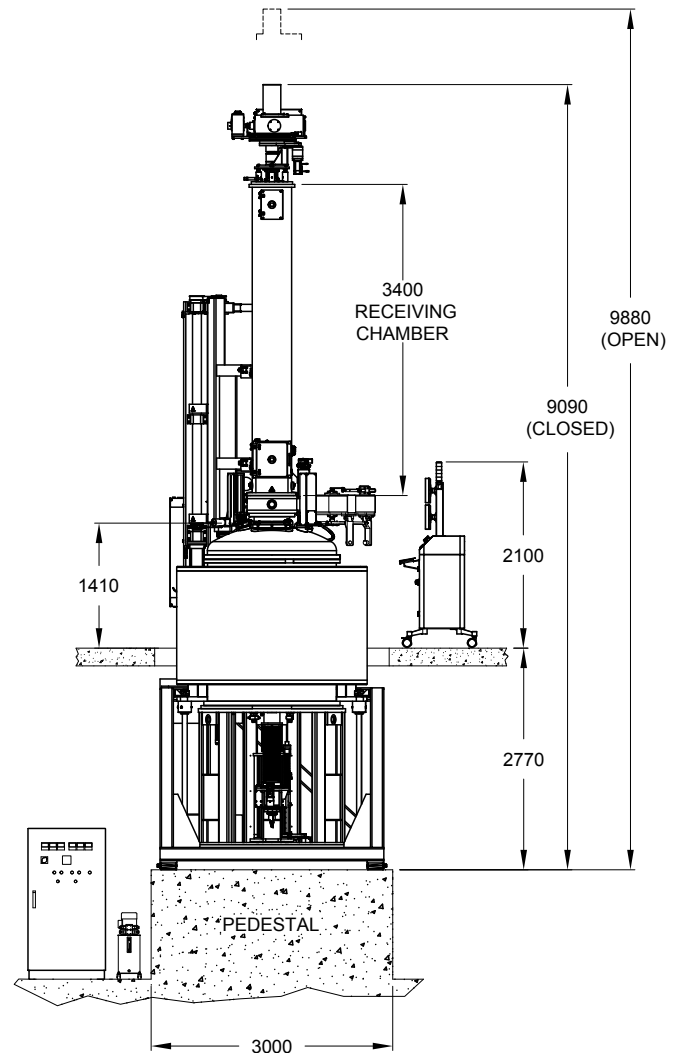
**KX320/300**



# KX320/300

## MCZ CRYSTAL GROWING FURNACE

*The KX320/300 MCZ crystal growing furnace is the latest in an extensive line of CZ crystal growing equipment from Linton Crystal Technologies. The KX320/300 comes as a complete grower system including; furnace, power supply, controls and magnet.*



Dimensions shown are typical and can be customized to meet customer requirements

PERFORMANCE	
Furnace Chamber Diameter	1275 mm (50.2 in)
Receiving Chamber Height	3400 mm (133.9 in)
Throat Diameter	400 mm (15.7 in) – Optional
Seed Lift Rate	0-508 mm/hr
Seed Jog Speed (Nominal)	400 mm/min
Seed Rotation (Reversible)	0-20 rpm
Total Crucible Travel	850 mm (33.46 in)
Crucible Lift Rate	0-127 mm/hr
Crucible Jog Speed (Nominal)	127 mm/min
Crucible Rotation (Reversible)	0-12 rpm
Dual Mass Flow Control	200 slpm (each)

SILICON CHARGE CAPACITY	
CRUCIBLE DIAMETER	CHARGE SIZE
32.0 in	up to 435 kg

OPTIONS & ACCESSORIES	
Feeders	Vacuum Pumps
Hot Zones	Ingots and Crucible Handling
Filters	Maintenance Tools